



**PRINTER OPTIONS**

**PF-5**

# **PARTS CATALOGUE**

**24-01-2000**

# PF-5 Parts Catalogue

## Table of Contents

Feeding Unit (Fig.1).....	3
Base Assembly (Fig.2).....	5
Cover Top Assembly (Fig.3).....	7
Paper cassette (PC-8) (Fig.4).....	10

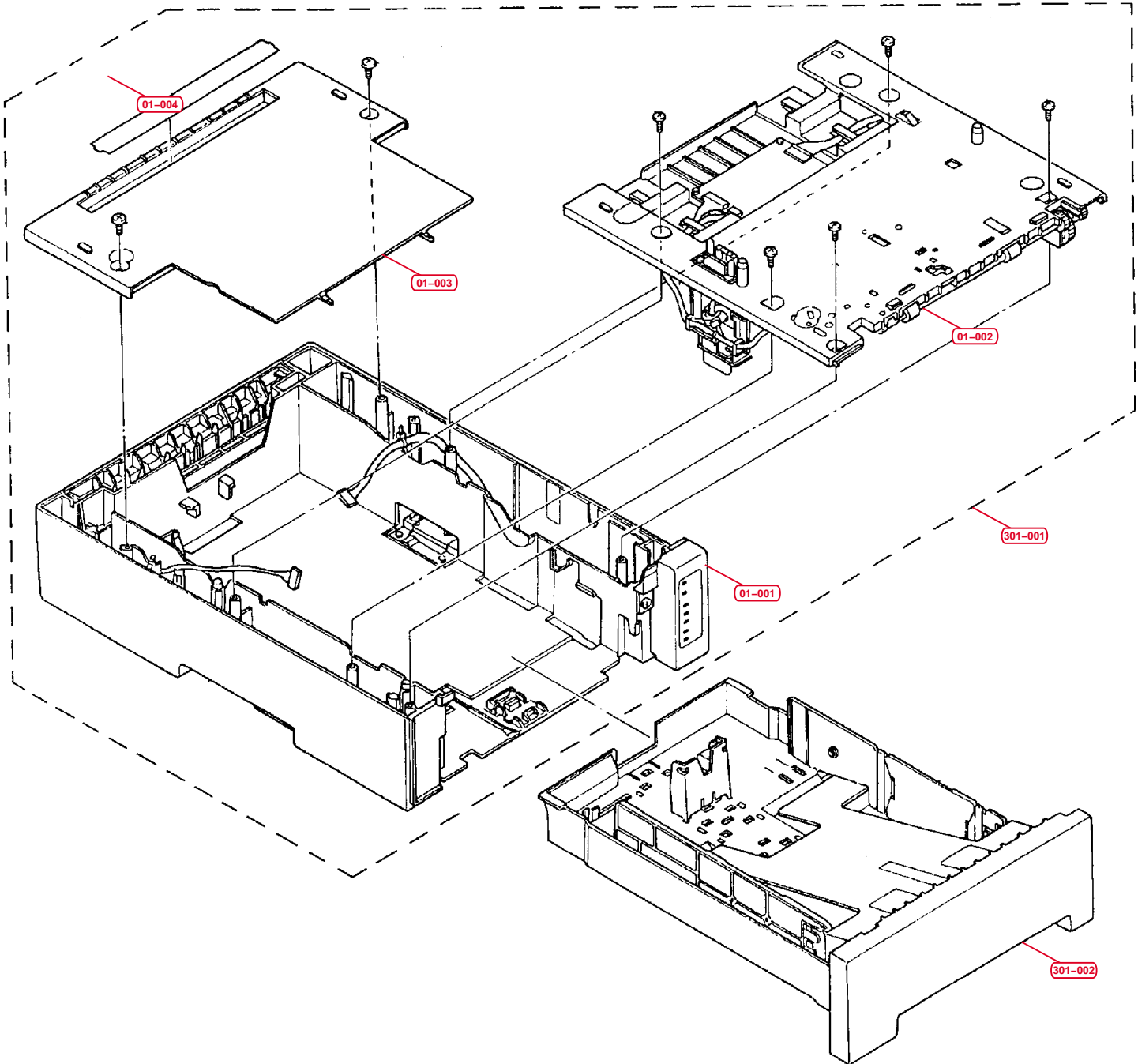
## Introduction

The figures which follow depict the major assemblies of the printer or option, broken down into components. Following each figure are the list giving the following information:

'Ref No.' ..... Reference number which corresponds to the parts in the figure  
'Part code' ..... Part code which identifies the part  
'Part description' ..... A brief description of the part  
'Quantity' ..... Quantity of the part used in the printer or option

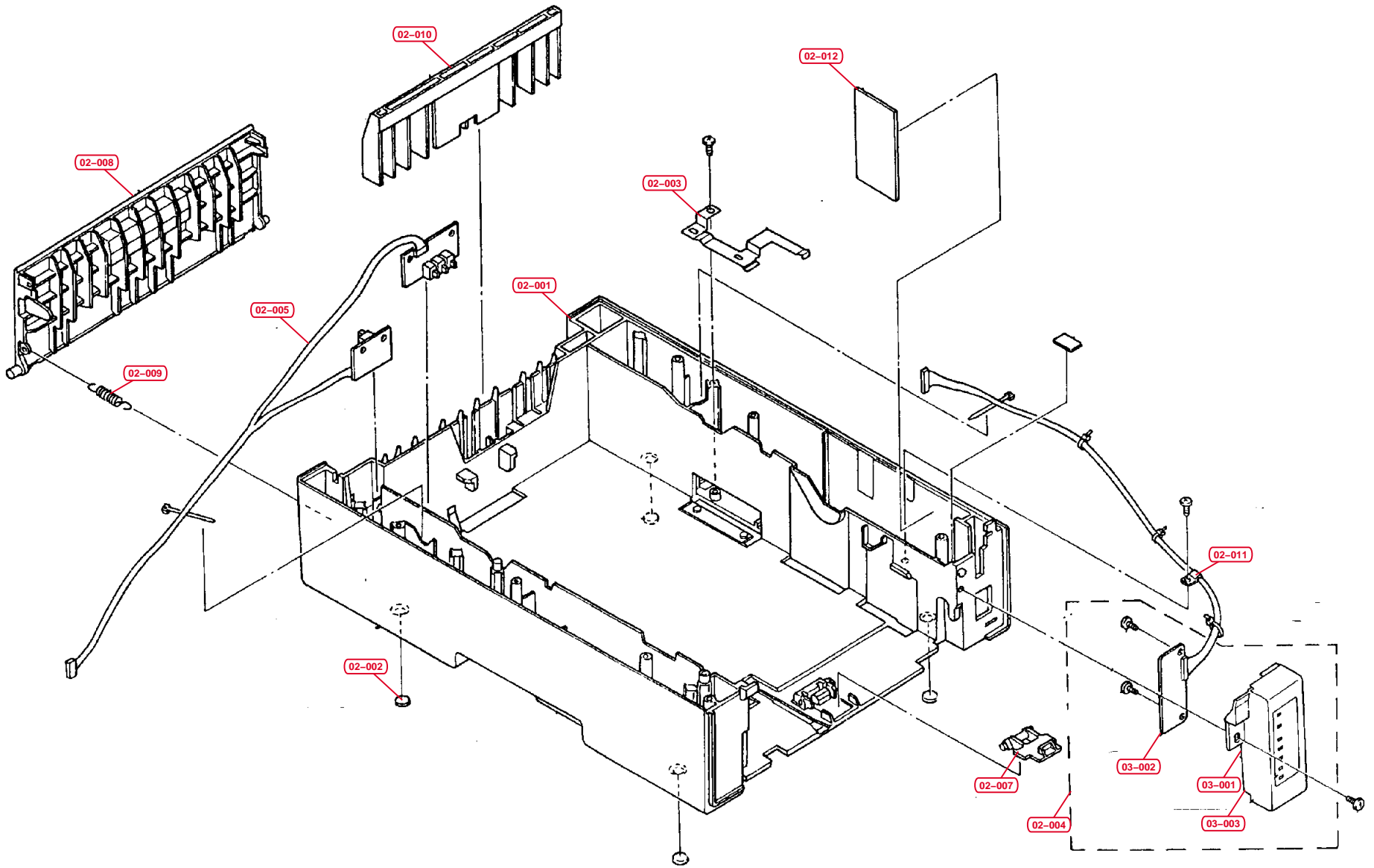
Only the parts highlighted in **BOLD** should be ordered. All other parts are for reference only and are not stocked.

Fig. 1 – Feeding Unit



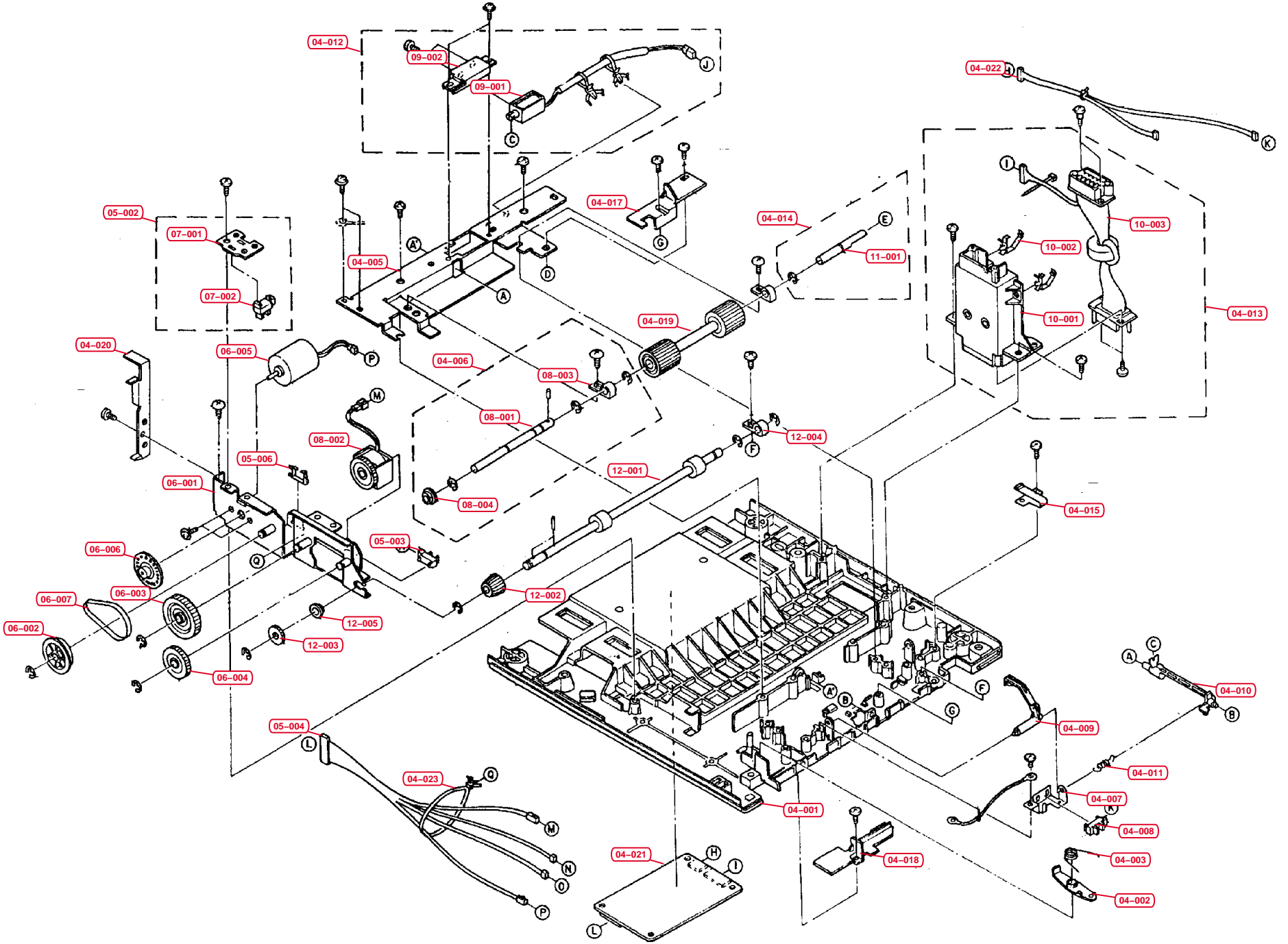
Ref No.	Part Code	Description	Quantity
01-001	5SNSP0008686	BASE ASSY	1
<b>01-002</b>	<b>5SNSP0008700</b>	<b>COVER TOP ASSY</b>	<b>1</b>
01-003	5SNSP0008775	COVER TOP ASSY	1
01-004	5SNSP0008776	SHEET COVER	1
301-001	5SNSP0008685	FEED UNIT	1
301-002	5SNSP0008744	CASSETTE ASSY	1

Fig.2 - Base Assembly



Ref No.	Part Code	Description	Quantity
02-001	5SNSP0008687	BASE	1
02-002	5SNSP0008688	FOOT	4
02-003	5SNSP0008689	PLATE EARTH CASSETTE	1
02-004	5SNSP0008690	COVER PANEL ASSY	1
<b>02-005</b>	<b>5SNSP0008694</b>	<b>SWITCH ASSY</b>	<b>1</b>
02-007	5SNSP0009608	LEVER LOCK ON	1
02-008	5SNSP0008697	COVER REAR	1
02-009	5SNSP0008698	SPRING COVER REAR	1
02-010	5SNSP0008699	GUIDE SLIDE	1
02-011	5MVX211NN024	NYLON CLAMP	1
02-012	5MVVSPF5***1	LABEL SERIAL	1
03-001	5SNSP0008691	COVER PANEL	1
03-002	5SNSP0008692	PWB PANEL ASSY	1
03-003	5SNSP0008693	SHEET PANEL	1

Fig.3 - Cover Top Assembly

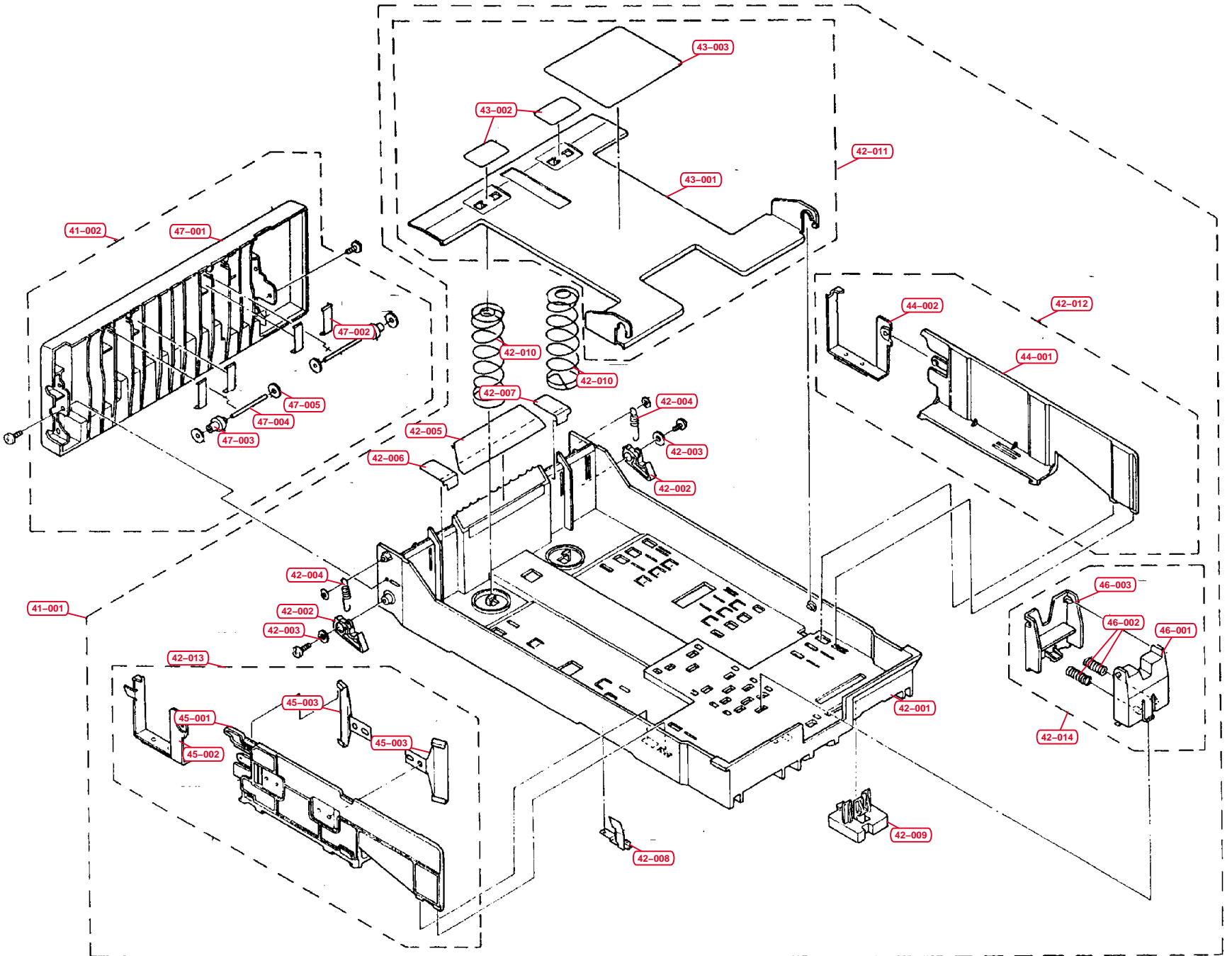


Ref No.	Part Code	Description	Quantity
04-001	5SNSP0009607	COYER TOP N	1
04-002	5SNSP0008702	LEVER SENS PA-1	1
04-003	5SNSP0008703	SPRING LEVER SENS	1
04-005	5SNSP0009612	BRACKET COYER TOP N	1
04-006	5SNSP0008717	SHAFT ROLL A ASSY	1
04-007	5SNSP0008722	BRACKET SENSOR FEED	1
04-008	5SNSP0008715	SENSOR	1
04-009	5SNSP0009604	ACTUATER SENSOR N	1
04-010	5SNSP0008724	LEVER SOLENOID	1
04-011	5SNSP0008725	SPRING SOLENOID	1
<b>04-012</b>	<b>5SNSP0008726</b>	<b>SOLENOID ASSY</b>	<b>1</b>
04-013	5SNSP0008729	CONNECTER ASSY	1
04-014	5SNSP0008732	SHAFT ROLLER ASSY	1
04-015	5SNSP0008734	STOPPER	1
04-017	5SNSP0008739	COYER FRONT L	1
04-018	5SNSP0008740	COYER FRONT R	1
<b>04-019</b>	<b>5SNSP0008741</b>	<b>ROLL PICK UP ASSY</b>	<b>1</b>
04-020	5SNSP0008742	PLATE EARTH	1
<b>04-021</b>	<b>5SNSP0008743</b>	<b>PWB MAIN</b>	<b>1</b>
04-022	5AACCNLZ2GEA	CONN.CORD S00702	1
04-023	5MVX717NN005	SNAP BAND	1
05-002	5SNSP0008713	SENSOR ENCODER ASSY	1
05-003	5SNSP0008715	SENSOR	1
05-004	5AACCNLZIGEA	CONN.CORD S00701	1
05-006	5MVK121NB002	EDGING SADDLE	1
06-001	5SNSP0008706	BRACKET MOTOR	1
06-002	5SNSP0008709	GEAR H16-P56	1
06-003	5SNSP0008708	GEAR Z20-H56	1
06-004	5SNSP0008707	GEAR Z32	1
<b>06-005</b>	<b>5SNSP0008710</b>	<b>MOTOR ASSY</b>	<b>1</b>
06-006	5SNSP0008711	PULLEY ENCODER P16	1
06-007	5SNSP0008712	BELT DRIVE Z86	1
07-001	5SNSP0008714	BRACKET ENCODER	1
07-002	5SNSP0008715	SENSOR	1
08-001	5SNSP0008718	SHAFT ROLL A	1
<b>08-002</b>	<b>5SNSP0008721</b>	<b>CLUTCH FEED DRIVE</b>	<b>1</b>
08-003	5SNSP0008719	BUSHING A	1
08-004	5SNSP0008720	BUSHING B	1
09-001	5SNSP0008727	SOLENOID	1
09-002	5SNSP0008728	BRACKET SOLENOID	1
10-001	5SNSP0008730	HOLDER CONNECTER	1
10-002	5SNSP0008731	SPACER	2
<b>10-003</b>	<b>5AACCNLZ3GEA</b>	<b>CONN. COAD S00703</b>	<b>1</b>
11-001	5SNSP0008733	SHAFT ROLLER	1
12-001	5SNSP0008736	ROLLER FEED	1



<b>Ref No.</b>	<b>Part Code</b>	<b>Description</b>	<b>Quantity</b>
12-002	5SNSP0008737	GEAR JOINT Z16	1
12-003	5SNSP0008738	GEAR FEED Z16	1
12-004	5SNSP0008719	BUSHING A	1
12-005	5SNSP0008720	BUSHING B	1

Fig.4 - Paper cassette (PC-8)



Ref No.	Part Code	Description	Quantity
41-001	5SNSP0008745	BASE CASSETTE ASSY	1
41-002	5SNSP0008770	COVER FRONT ASSY	1
42-001	5SNSP0008746	BASE CASSETTE	1
42-002	5SNSP0008747	LEVER LOCK CASSETTE	2
42-003	5SNSP0008748	FLAT WASHER	2
42-004	5SNSP0008749	SPRING LEVER LOCK	2
42-005	5SNSP0008750	SHEET GUIDE A	1
42-006	5SNSP0009614	SHEET GUIDE BN	1
42-007	5SNSP0009615	SHEET GUIDE ON	1
42-008	5SNSP0008753	PLATE SPRING EARTH	1
42-009	5SNSP0008754	KNOB SIZE SELECT	1
42-010	5SNSP0009613	SPRING CASSETTE N	2
42-011	5SNSP0008756	PLATE BOTTOM ASSY	1
<b>42-012</b>	<b>5SNSP0008759</b>	<b>PLATE SIDE L ASSY</b>	<b>1</b>
<b>42-013</b>	<b>5SNSP0008762</b>	<b>PLATE SIDE R ASSY</b>	<b>1</b>
<b>42-014</b>	<b>5SNSP0008766</b>	<b>BACK END ASSY</b>	<b>1</b>
43-001	5SNSP0009611	PLATE BOTTOM N	1
43-002	5SNSP0008758	PAD FRICTION	2
43-003	5MVVL662WN02	LABEL INSTRUCTION	1
44-001	5SNSP0008760	PLATE SIDE L	1
44-002	5SNSP0009609	NAIL LN	1
45-001	5SNSP0008763	PLATE SIDE R	1
45-002	5SNSP0009610	NAIL RN	1
45-003	5SNSP0008765	SPRING ADJUST SIDE	2
46-001	5SNSP0008767	BACK END	1
46-002	5SNSP0008768	SPRING ADJUST REAR	2
46-003	5SNSP0008769	COVER BACK END	1
47-001	5SNSP0008771	COVER FRONT	1
47-002	5SNSP0008772	SPRING TENSION	4
47-003	5SNSP0008773	ROLLER PINCH	2
47-004	5SNSP0008774	SHAFT ROLLER PINCH	2
47-005	5SNSP0009017	COLLOR	4